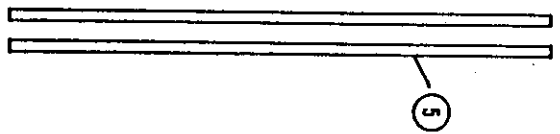
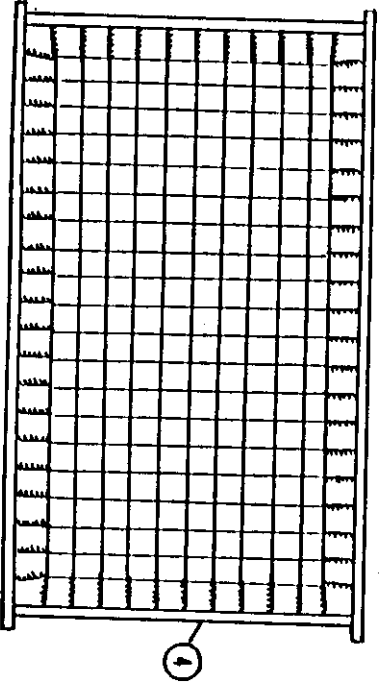
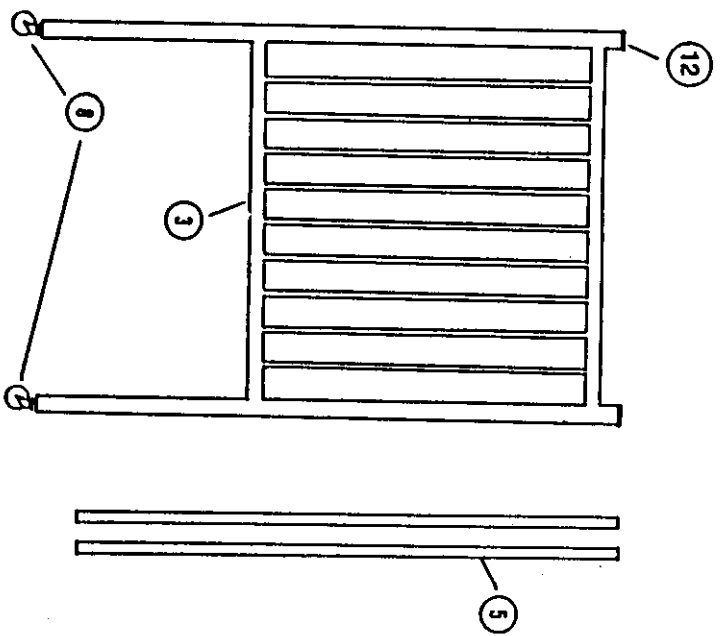
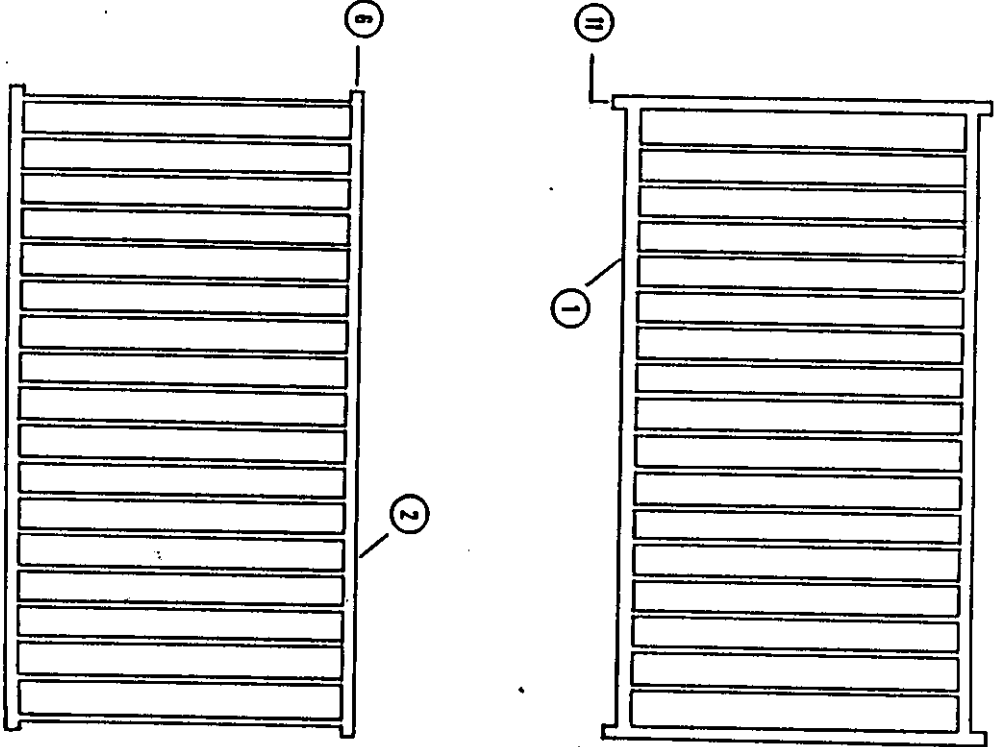


# 1387 CRIB ASSEMBLY INSTRUCTIONS



PARTS LIST FOR 1387 PORTABLE CRIB			
LEGEND	PART	DESCRIPTION	QTY
1	8701	DROP SIDE	1
2	8702	STATIONARY SIDE	1
3	8703	END SIDE	2
4	8704	MATTRESS FRAME	1
5	8705	DROP PIPE	2
6	8706	END CAP	4
7	8707	CASTER INSERT	4
8	8708	CASTER	4
9	8709	THUMB CLIP	4
10	8710	BOLT	4
11	8711	BUSHING	4
12	8712	END CAP	4



1. REMOVE CONTENTS FROM BOX. CHECK FOR COMPLETENESS OF SHIPMENT. REFER TO PARTS LIST.
2. UNFOLD TWO END SIDES SO THAT CRIB WILL STAND ON IT'S OWN. LAY MATTRESS FRAME (4) INTO THE CRIB.
3. INSERT STATIONARY SIDE (2) BY DEPRESSING THUMB CLIPS (9) AND ALLOWING THEM TO SPRING INTO POSITION INTO THE MOUNTING TABS ON EITHER SIDE OF FRAME.

4. PLACE MATTRESS INTO CRIB. MAKE SURE THE MATTRESS YOU ARE USING IS OF PROPER SIZE. 24" X 40 1/2" AND NOT TO EXCEED 3" THICKNESS.

- NOTE:
1. YOU DO NOT NEED TOOLS TO ASSEMBLE THIS PORTABLE CRIB.
  2. PUT ANY CHILD 35" OR TALLER IN A YOUTH OR REGULAR BED.
  3. THUMB CLIPS (9) ARE ALREADY INSERTED INTO STATIONARY SIDE (2).
  4. END SIDES (3) CONTAIN CASTER INSERTS (7) FOR CASTERS (8).

MAJOR LAB MFG.

